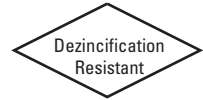


200 PSI WWP Bronze Check Valves

Fire Protection Valve • Horizontal Swing • Rubber Disc



200 PSI/13.8 Bar Non-Shock Cold Water



KT-403-W
Threaded

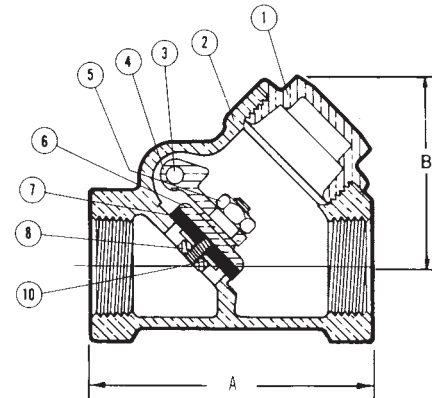
CONFORMS TO MSS SP-80

MATERIAL LIST

PART	SPECIFICATION
1. Bonnet	Bronze ASTM B62 or B584 Alloy C84400
2. Body	Bronze ASTM B62 or B584 Alloy C84400
3. Hinge Pin	Bronze ASTM B140 Alloy C31400 or B134 Alloy C23000
4. Disc Hanger	Bronze ASTM B62
5. Hanger Nut	Bronze ASTM B97 Alloy C65500 or Brass ASTM B16
6. Disc Holder	Bronze ASTM B62
7. Seat Disc	Nitrile (W) PTFE (Y)†
8. Seat Disc Nut	Brass ASTM B16 or B97 Alloy C65500
9. Hinge Pin Plug	Bronze ASTM B140 Alloy C32000 (Not Shown)
*10. Seat Disc Washer	Stainless Steel

* Sizes ¾", 1", 1¼" and 1½" only.

† 2½" and 3" size only.



KT-403-W
NPT x NPT

DIMENSIONS—WEIGHTS—QUANTITIES

Size	Dimensions				Weight		Box Qty.	Master Ctn. Qty.	
	In.	mm.	In.	mm.	Lbs.	Kg.			
½	15	2.44	62	1.69	43	.58	.26	10	50
¾	20	2.94	75	1.88	48	.92	.42	10	50
1	25	3.56	90	2.31	59	1.55	.70	5	30
1¼	32	4.19	106	2.69	68	2.32	1.05	5	20
1½	40	4.50	114	2.94	75	3.00	1.36	2	10
2	50	5.25	133	3.81	97	4.87	2.21	2	10
2½	65	8.00	203	5.06	129	11.48	5.22	1	5
3	80	9.25	235	6.25	159	17.53	7.97	1	4

Sizes 2½" and 3" supplied as T-433-Y with PTFE seat disc.

NIBCO check valves may be installed in both horizontal and vertical lines with upward flow or in any intermediate position.

WARNING - Valve must be installed downstream of receiver tank if used in line with reciprocating air compressor.