

250 PSI WWP Iron Body Check Valves

Reliable Automatic Sprinkler "G" Series Fire Protection Valve • Drilled & Tapped for Ball Drip Outlet • EPDM Seal • Bronze Seat • Stainless Steel Disc & Spring Actuated

250 PSI/17.2 Bar Non-Shock Cold Water

GROOVES CONFORM TO ANSI AWWA C-606 FOR STEEL PIPE •
UL/ULC LISTED • FM APPROVED •
APPROVED BY THE NEW YORK CITY MEA 258-93-E

MATERIAL LIST

PART	SPECIFICATION
*1. Valve Body	Cast Iron, ASTM A48 Class 30A
2. Seat	Bronze C83600 or C93200, ASTM B505
3. Clapper	Stainless Steel 304, ASTM A240
**4. Facing Seal	EPDM Rubber
5. Clamping Ring	Stainless Steel 304, ASTM A240
**6. Gasket	EPDM Rubber
7. Spring	Stainless Steel 302, ASTM A313
8. Hinge Pin	Stainless Steel 303, ASTM A582
9. Bolt	Stainless Steel 304, ASTM F593
**10. Locknut	Stainless Steel 303, ASTM F594
11. Plug 1/8" NPT	Steel
12. Plug 1/2" NPT	Steel

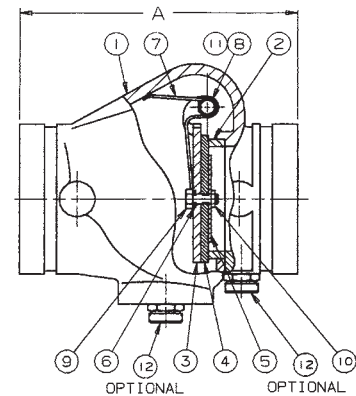
* Not field replaceable.

** Replacement seal kit.

NOTE: All sizes are manufactured, listed and approved by Automatic Sprinkler and distributed by NIBCO.



G-917-W (Reliable "G" Series)
Grooved



G-917-W

DIMENSIONS—WEIGHTS—QUANTITIES

Size		Dimension A		Weight	
In.	mm.	In.	mm.	Lbs.	Kg.
2½	65	7.03	179	9	4
3	80	7.62	194	11	5
4	100	8.44	214	17	8
6	150	10.25	260	38	17



Ball Drip

An automatic ball drip is available for NIBCO Underwriter's check valves. The ball drip is installed at boss location "C" on the check valve of the fire department connection. It will close against pressure, but will open when pressure is off allowing water to drain from the fire department connection.

½" Ball Drip # RG 22000

¾" Ball Drip # RG 22100

