



The technical specifications might not be congruent.

- NASM...08/16 (S) series
- NENUTEC fast running damper actuators are especially designed and produced for applications in the HVAC systems.
- Our wide range of NENUTEC damper actuators has been developed to operate air dampers of different sizes and the NPG-1 position transmitter that perform safety functions.

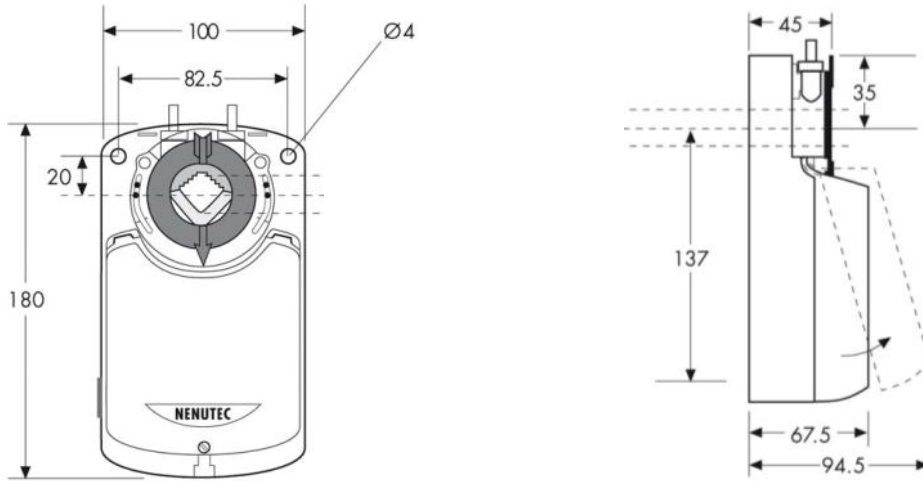
Product Features

- Torque 8 Nm / 16 Nm
- Damper size 1.5 m² / 3.0 m²
- Power Supply AC/DC 24 V
- Control Modulating DC 0(2)...10 V and 0(4)...20 mA
- 2 adjustable auxiliary switches (SPDT)
- Shaft dimensions
 - 10 to 20 mm round / □ 10 to 16 mm square
- Minimum shaft length 40 mm
- Selectable direction of rotation
- Adjustable angle of rotation
- Actuator with cable connection on request
- Customer version on request

Model Selection Table


Torque	Running Time	Power Supply	Auxiliary Switches	Model / Type
8 Nm	8 sec	AC/DC 24 V ± 10%	No	NASM 1.1-08
8 Nm	8 sec	AC/DC 24 V ± 10%	2 x SPDT	NASM 1.1-08 S
16 Nm	16 sec	AC/DC 24 V ± 10%	No	NASM 1.1-16
16 Nm	16 sec	AC/DC 24 V ± 10%	2 x SPDT	NASM 1.1-16 S

Actuator Dimensions (mm)

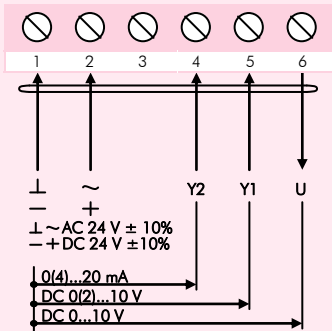


Technical Specifications

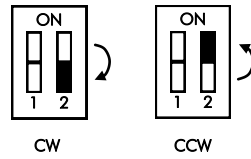
NASM 1.1...(S)

Torque	8 Nm / 16 Nm
Damper Size	1.5 m ² / 3.0 m ²
Shaft dimensions	Ø 10 to 20 mm round / □ 10 to 16 mm square
Power Supply	AC/DC 24 V ± 10%
Frequency	50 - 60 Hz
Control Signal (Input)	DC 0(2)...10 V or 0(4)...20 mA
Position Signal (Output)	DC 0...10 V
Power Consumption	
- Operating	8.5 W
- End Position	0.7 W
For Wire Sizing	10.5 VA
Auxiliary Switch Rating	3 (1.5) A, AC 230 V
Protection Class	III 
Angle of Rotation	0°...90° (93° mechanical)
Angle of Limiting	5°...85° in 5° step
Weight	1.2 Kg
Life Cycle	60'000 rotation
Sound Level	50 dB (A)
IP Protection	IP 54 (dust protected & protected against splash water)
Operating Temperature	-20°...+50° C / IEC 721-3-3
Non-Operating Temperature	-30°...+60° C / IEC 721-3-2
Ambient Humidity	5%...95% rH non condensing / EN 60730-1
Maintenance	Maintenance free
Mode of Operation	Type I / EN 60730-1
EMC	CE according to 89 / 336 / EWG

Wiring Diagram NASM 1.1...(S) Power Supply AC/DC 24 V

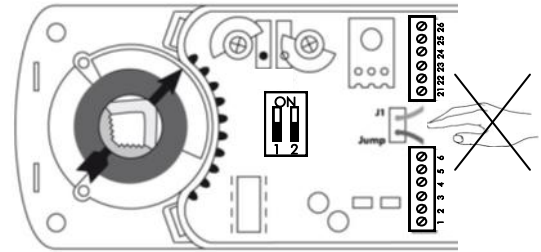


Changing Direction of Rotation NASM 1.1...(S)

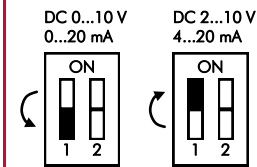


Factory-set CW!

The direction of rotation can be changed by moving the CW/CCW micro switch number 2. Jumper J1 must never be reversed.

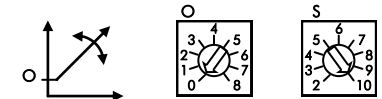


Adjustment of Control Signal NASM 1.1...(S)

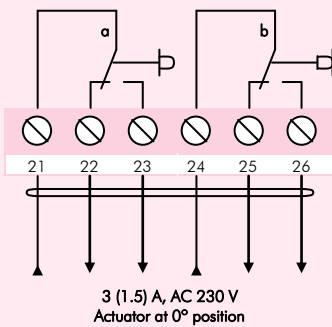


The control signal can be changed to DC 2...10 V and 4...20 mA by moving micro switch 1 to the ON position.

1.1	Control signal Y1	DC 0(2)...10 V
	Input resistance	Ri 100 kOhm
1.1	Control signal Y2	0(4)... 20 mA
	Input resistance	Ri 500 Ohm
1.1	Position signal U	DC 0...10 V
	Load resistance	> 50 kOhm



Wiring Diagram NASM 1.1...(S) Auxiliary Switches

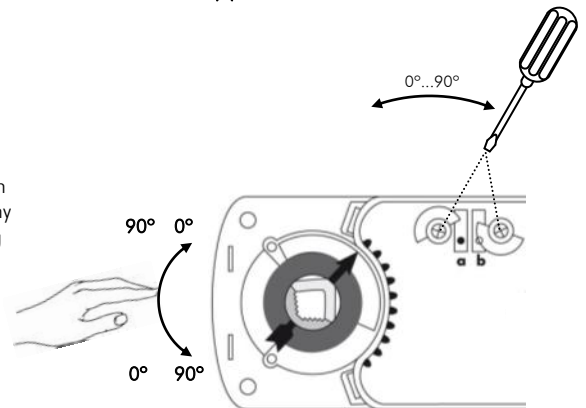


Adjustment of Auxiliary Switches NASM 1.1...(S)

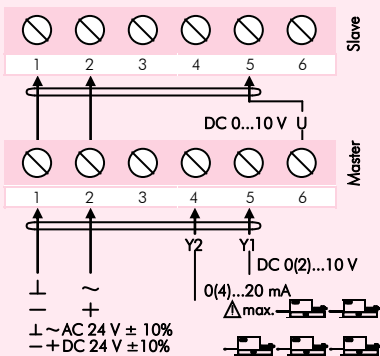
Switch **a** factory-set at 10°

Switch **b** factory-set at 80°

The Position of switches can be manually changed to any required position by turning the ratchet.



Wiring Diagram NASM 1.1...(S) Parallel Connection

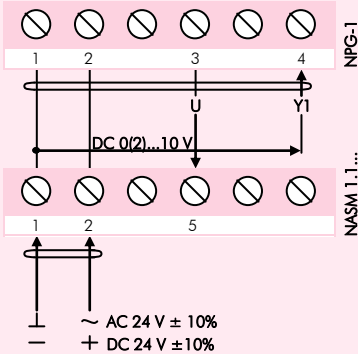


Remark

When NASM...(S) actuators operate in parallel, the output signal U = DC 0...10 V (terminal 6) of the master actuator must be connected to terminal 5 of the next slave actuator.

Parallel connection of several actuators is possible. The Power consumption must be observed.

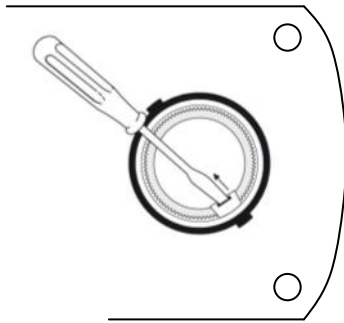
Wiring Diagram NASM 1.1...(S)
NPG-1 Position Transmitter AC/DC 24 V



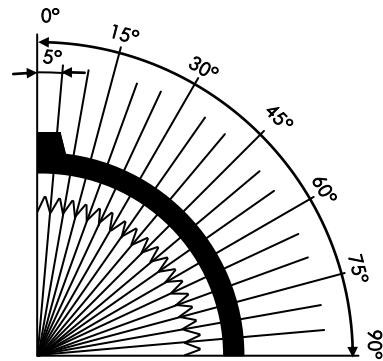
Remark

NASM...(S) actuators can be controlled by using the NENUTEC NPG-1 position transmitter with a control signal of DC 0...10V.

Releasing the Adapter NASM 1.1...(S)



Limiting Angle of Rotation NASM 1.1...(S)



OEM Customised Version on Request

TELIMA offers you NENUTEC actuators in customised versions, e.g. with your own brand name, with colour-coordinated applications and with your particular demand. Please contact us for further information.

Important Remark

Consult NENUTEC representatives for specific requirements and material selections for your intended application.



This actuator includes electrical and electronic components and may not be disposed as household garbage. Please consider the local valid legislation.



AC / DC 24 V: Connect via safety isolating transformer.
 AC 230 V: To isolate from the main power supply, the system must incorporate a device which disconnects the phase conductor (with at least a 3 mm contact gap).



TELIMA AG
 Research and Development
 Schachenstrasse 80
 CH - 8645 Jona/SG - Switzerland
 T: +41 55 224 40 60
 F: +41 55 224 40 69
 E-Mail: info@telima.ch
 Internet: www.nenutec.com